

- > precision pliers for ultra fine cutting work in electronics and fine mechanics
- > electrically discharging handles – dissipative (ESD versions only)
- > ground, very sharp cutting edges without bevel for flush cutting
- > precision shaped tips cut wires resting on a board from 1/64" (0.2 mm) dia.
- > joint with stainless steel rivet
- > extremely smooth movement for minimum operator fatigue
- > includes opening spring for easy repetitive work

78 03 125 ESD

Cutting edge hardness approx. 54 HRC; INOX – stainless steel

78 13 125 ESD

With lead catcher – no uncontrolled loss of cut wire ends; cutting edge hardness approx. 54 HRC; INOX – stainless steel

78 61 125 ESD

Cutting edge hardness approx. 64 HRC; special tool steel, burnished

78 71 125 ESD

With lead catcher – no uncontrolled loss of cut wire ends; cutting edge hardness approx. 64 HRC; special tool steel, burnished



78 03 125 ESD
⚠️ ⚡️ 🔪 🔧



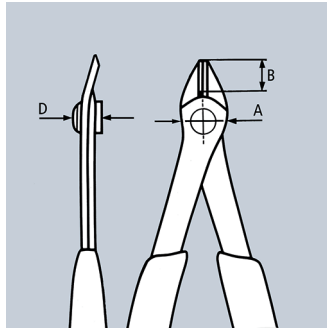
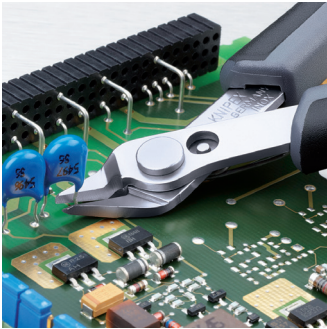
78 13 125 ESD
⚠️ ⚡️ 🔪 🔧 👁️



78 61 125 ESD
⚠️ ⚡️ 🔪 🔧



78 71 125 ESD
⚠️ ⚡️ 🔪 🔧 👁️



ESD Pliers (electrostatic discharge)

Electrostatic energy is discharged through the handles in a gradual and controlled manner which protects components endangered by electrostatic discharge in accordance with applicable standards, e.g. IEC TR 61 340-5, DIN EN 61 340-5, SP Method 2472



Product Number	Packaging	↔ Inch mm	⚠️ ⚡️ 🔪 🔧	Head	Handles	Cutting capacities		Dimensions			⚖️ lbs
						⊘ Inch Ø mm	⊘ Inch Ø mm	A Inch mm	B Inch mm	D Inch mm	
78 03 125 ESD		5 125	⚠️ ⚡️ 🔪 🔧	polished	ESD multi-component grips	1/64 - 1/16 0.2 - 1.6	3/64 1.0	17/32 13.5	23/64 9.0	19/64 7.5	0.13
78 13 125 ESD		5 125	⚠️ ⚡️ 🔪 🔧 👁️	polished	ESD multi-component grips	1/64 - 1/16 0.2 - 1.6	3/64 1.0	17/32 13.5	23/64 9.0	19/64 7.5	0.14
78 61 125 ESD		5 125	⚠️ ⚡️ 🔪 🔧	burnished	ESD multi-component grips	1/64 - 1/16 0.2 - 1.6	3/64 1.2	17/32 13.5	23/64 9.0	19/64 7.5	0.12
78 71 125 ESD		5 125	⚠️ ⚡️ 🔪 🔧 👁️	burnished	ESD multi-component grips	1/64 - 1/16 0.2 - 1.6	3/64 1.2	17/32 13.5	23/64 9.0	19/64 7.5	0.14